

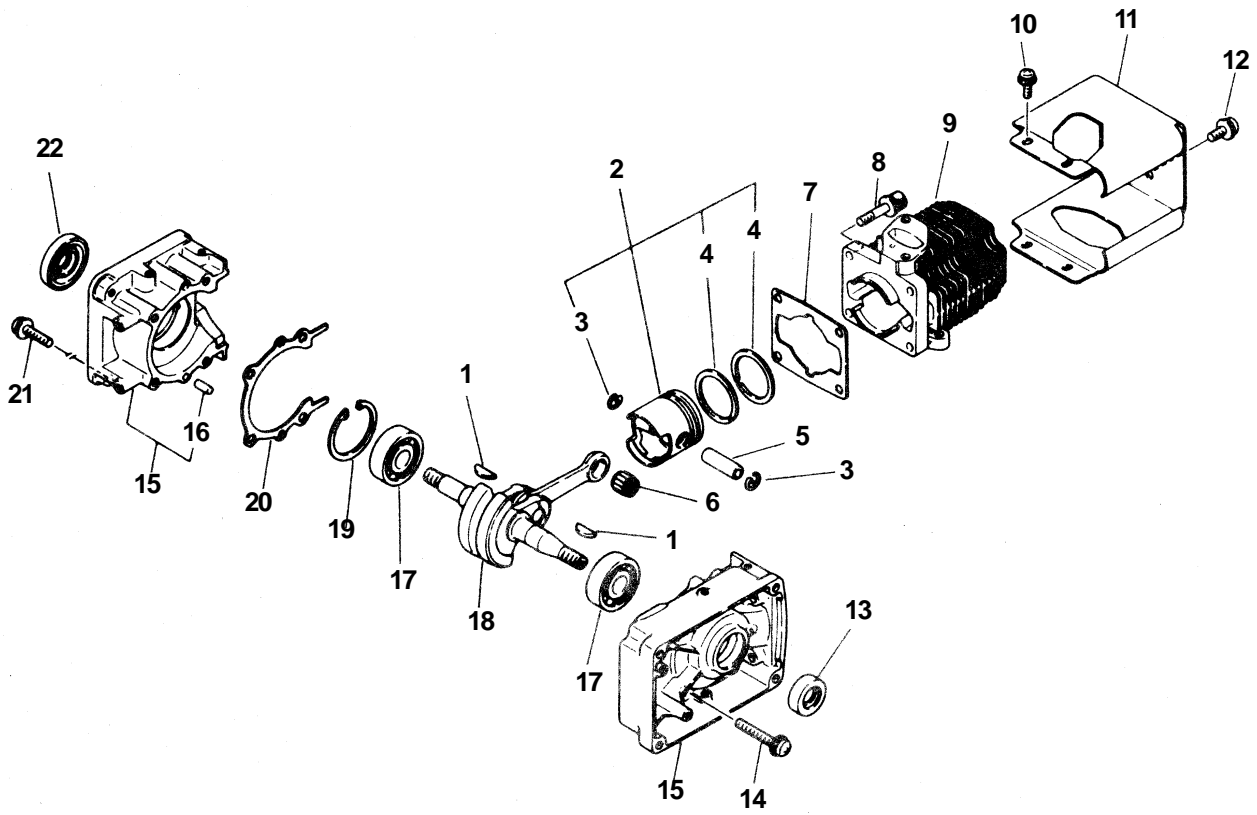


**POWER BLOWER
PARTS CATALOG
MODEL PB-210E
TYPE 1E**

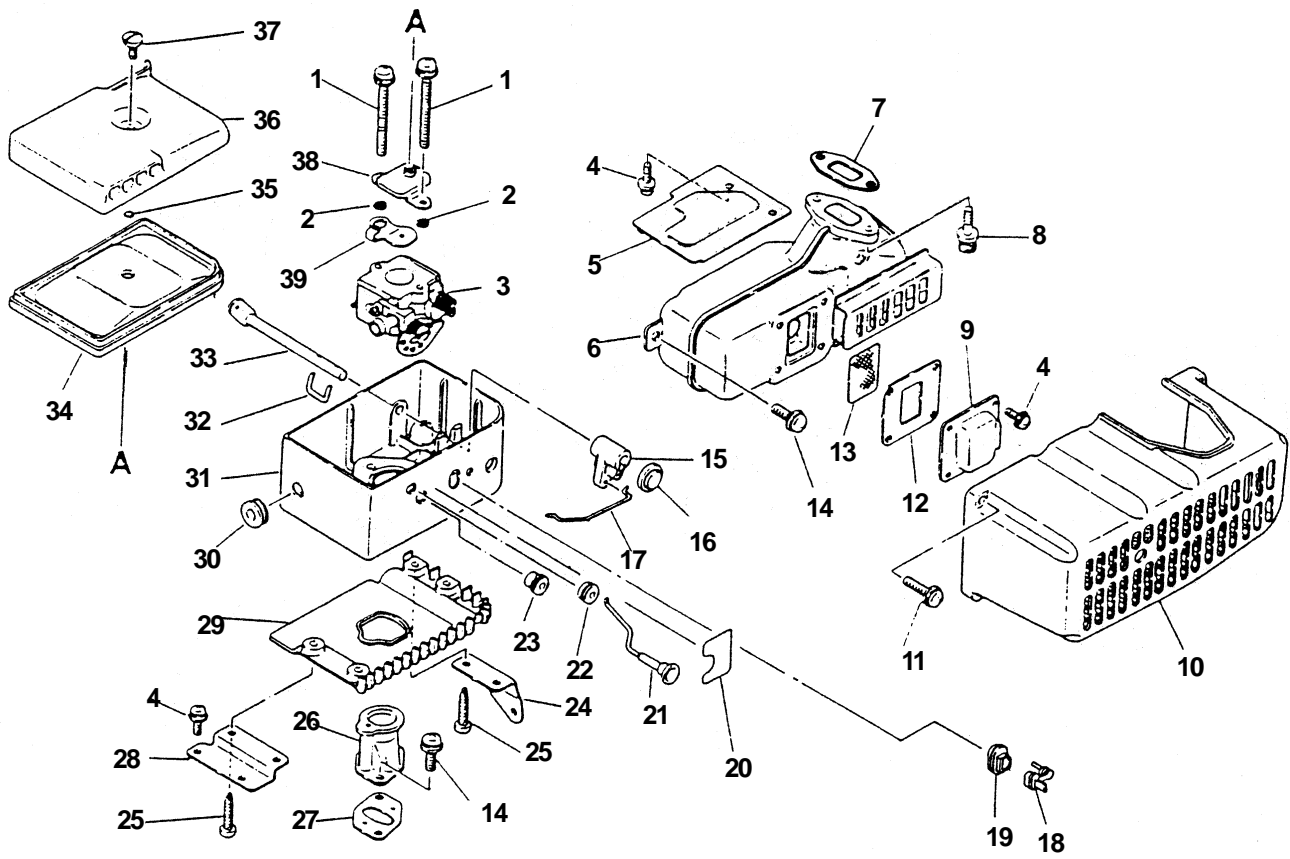
SERIAL NUMBER 001001 & UP

**ECHO, INCORPORATED
400 OAKWOOD ROAD
LAKE ZURICH, IL 60047**

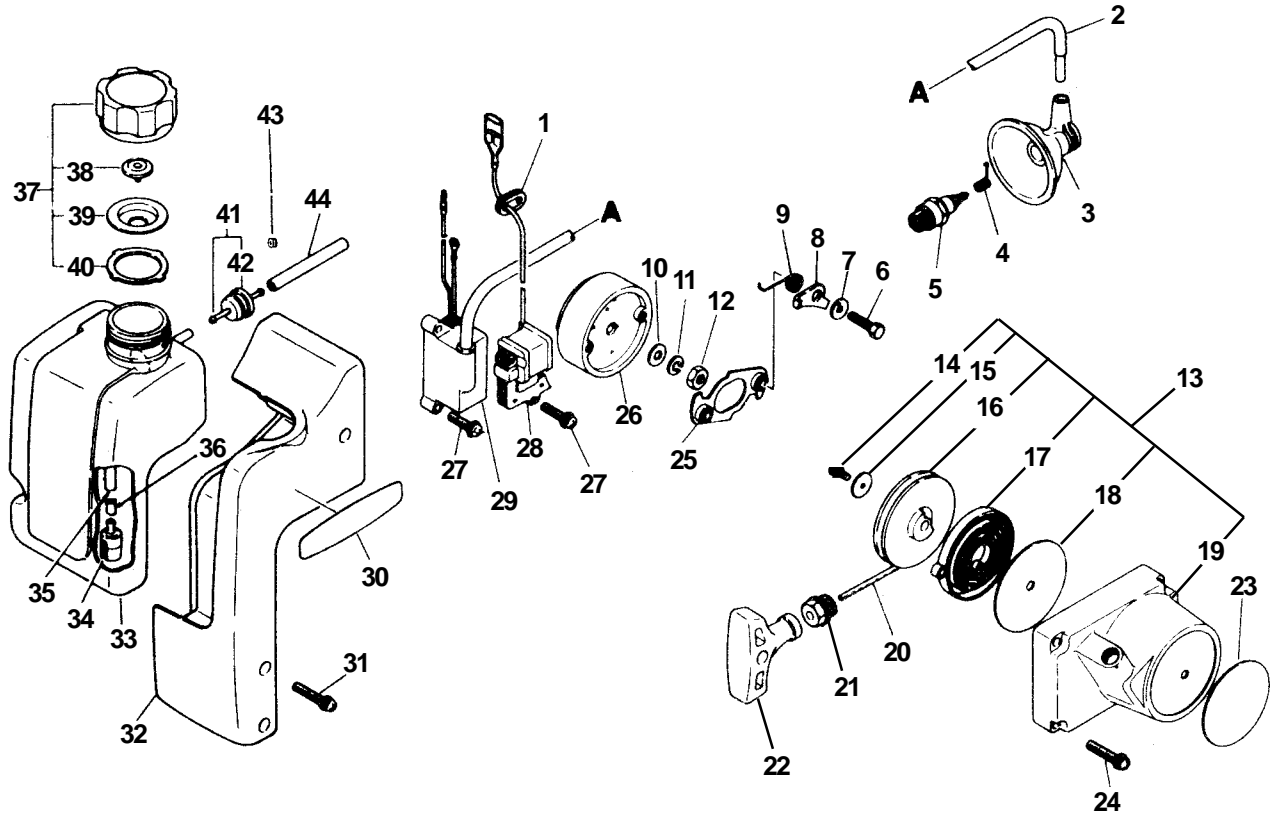
**99922202846
11/99**



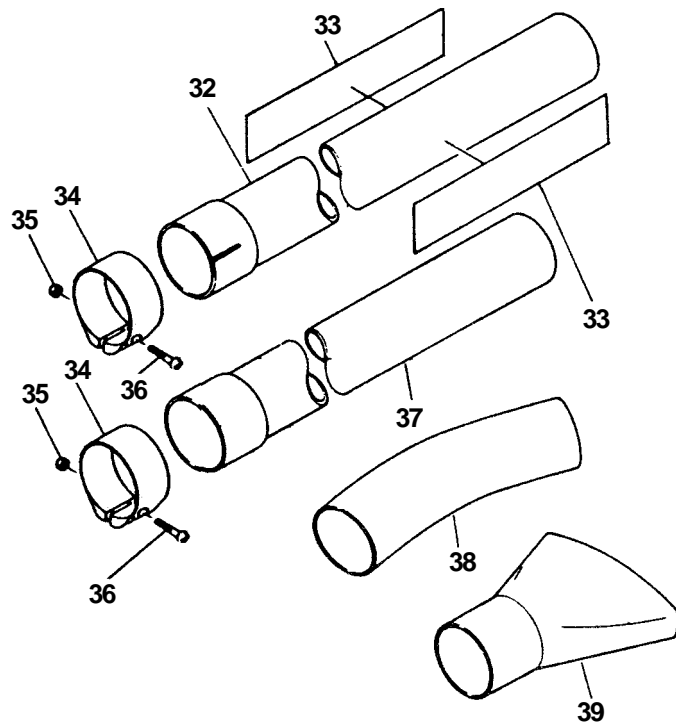
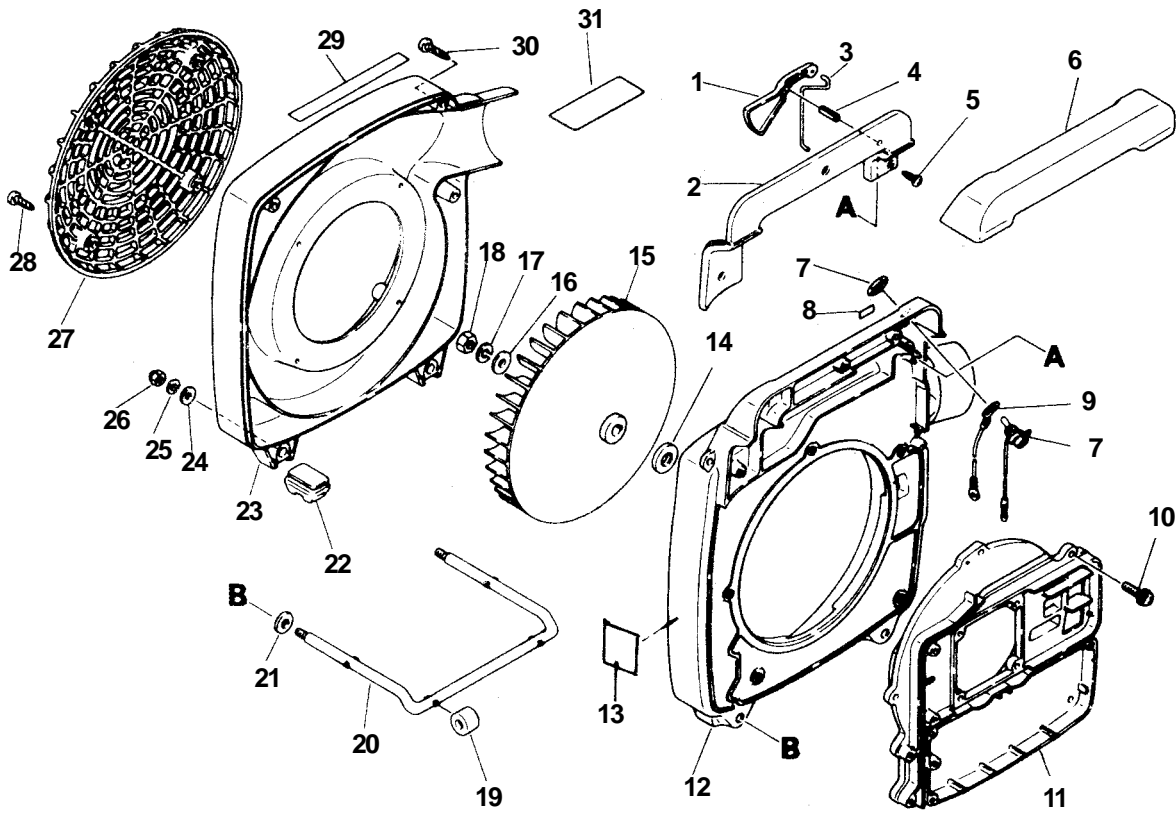
KEY	PARTNUMBER	QTY	DESCRIPTION	REMARKS
1	90032303014	2	KEY, WOODRUFF	
2	10000003360	1	PISTONKIT	INCLUDES ITEMS 3 - 6
3	10001504630	2	CIRCLIP, PISTON PIN	
4	10001105530	2	RING, PISTON	
5	10001303360	1	PIN, PISTON	
6	10001221230	1	BEARING, NEEDLE	
7	10101003361	1	GASKET, CYLINDER BASE	INCLUDED IN KIT 88900003361
8	90016205020	4	BOLT, H.S. 5X20	
9	10101103362	1	CYLINDER	
10	90024204010	4	SCREW 4X10	
11	10151403360	1	COVER, CYLINDER	
12	90024205010	1	SCREW 5X10	
13	10021305530	1	OILSEAL	
14	90024205030	4	SCREW 5X30	
15	10020003360	1	CRANKCASE SET	INCLUDES ITEMS 16
16	10021503930	2	PIN, DOWEL	
17	90081036201	2	BEARING, BALL 6201	
18	10010003360	1	CRANKSHAFT	
19	90070200032	1	CIRCLIP 32	
20	-----	1	GASKET, CRANKCASE	INCLUDED IN KIT 88900003361
21	90024205020	4	SCREW 5X20	
22	10021203930	1	OILSEAL	
	88900003361	1	GASKET KIT	INCLUDES THE FOLLOWING
	10101003361	1	GASKET, CYLINDER BASE	
	-----	1	GASKET, CRANKCASE	
	13001003361	1	GASKET, INTAKE	
	14551003361	1	GASKET, MUFFLER	



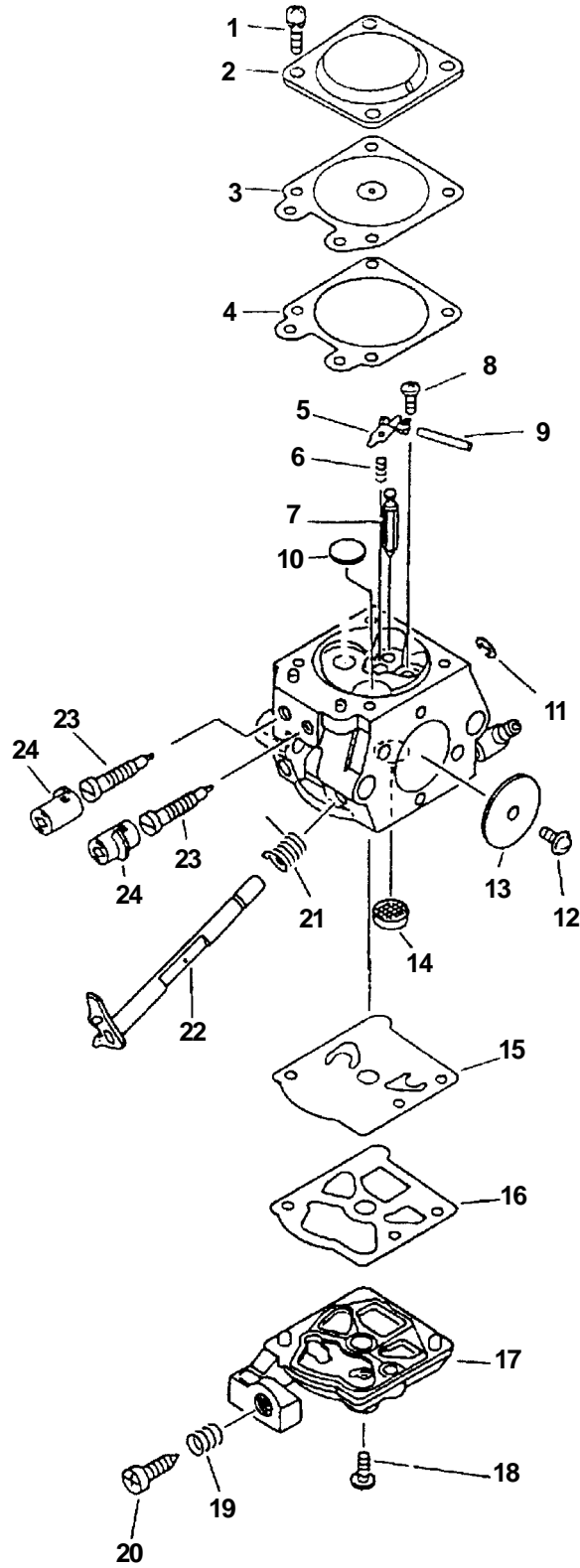
KEY	PARTNUMBER	QTY	DESCRIPTION	REMARKS
1	90024205045	2	SCREW 5X45	
2	17851600830	2	WASHER	
3	12300003662	1	CARBURETOR WT-409B	
4	90024204010	8	SCREW 4X10	
5	10027003360	1	INSULATOR	
6	14585803360	1	MUFFLER	
7	14551003361	1	GASKET, MUFFLER	INCLUDED IN KIT 88900003361
8	90016205016	2	BOLT, H.S. 5X16	
9	14580903361	1	LID, MUFFLER	
10	14590603361	1	COVER, MUFFLER	
11	90024205020	3	SCREW 5X20	
12	14586603361	1	GASKET, MUFFLER LID	
13	14586209520	1	SCREEN, MUFFLER	
14	90024205014	3	SCREW 5X14	
15	17801703360	1	ARM, THROTTLE LEVER	
16	17811403360	1	HOLDER, THROTTLE LEVER	
17	17804603360	1	ROD, THROTTLE	
18	13082603360	1	GROMMET, PLUG	
19	12901003660	1	GROMMET, NEEDLE	
20	89015803360	1	LABEL	
21	17851003360	1	ROD, CHOKE	
22	17881003930	1	BUSHING, RUBBER	
23	12902303360	1	GROMMET	
24	13043103360	1	BRACKET	
25	90024905025	4	SCREW 5X25	
26	13051003360	1	ADAPTER, INTAKE	
27	13001003361	1	GASKET	INCLUDED IN KIT 88900003361
28	13042903360	1	BRACKET	
29	13035503360	1	INSULATOR	
30	12902311130	1	GROMMET	
31	13030603362	1	CASE, CARBURETOR	
32	17803203360	1	CONNECTOR, THROTTLE	
33	17812403360	1	SHAFT, THROTTLE	
34	13031003360	1	FILTER, AIR	
35	90072000003	1	O-RING	
36	13031303361	1	COVER, AIR CLEANER	
37	13041522130	1	SCREW	
38	13040522130	1	BRACKET, AIR CLEANER	
39	17851522130	1	SHUTTER, CHOKE	



KEY	PARTNUMBER	QTY	DESCRIPTION	REMARKS
1	15611403360	1	GROMMET	
2	15661103360	1	TUBE	
3	15901203360	1	CAP, SPARK PLUG	
4	15901103432	1	COIL, PLUG CAP	
5	15901010630	1	PLUG, SPARK BPM-7A	
6	90010005020	2	BOLT 5X20	
7	90060300005	2	WASHER 5	
8	17721804920	2	CATCHER, PAWL	
9	17723404920	2	SPRING, RETURN	
10	90060000008	1	WASHER 8	
11	90060500008	1	WASHER, SPRING 8	
12	90050200008	1	NUT 8	
13	17720003360	1	STARTER ASY	INCLUDES ITEMS 14 - 22
14	90024204010	1	SCREW 4X10	
15	17721404630	1	WASHER	
16	17721504920	1	DRUM, STARTER	
17	17722006530	1	SPRING, REWIND	
18	17722116530	1	PLATE	
19	17720903360	1	CASE, STARTER	
20	-----	1	ROPE, STARTER	USE BULK ROPE 99944400040 DIA. 3.0 MM (.12 IN.) LENGTH 850 MM (33.5 IN.)
21	17722705020	1	GUIDE, ROPE	
22	17722806530	1	GRIP, STARTER	
23	89011849330	1	LABEL, ECHO	
24	90024205025	4	SCREW 5X25	
25	17730703360	1	HOLDER, PAWL	
26	15680003361	1	FLYWHEEL	
27	90024204020	4	SCREW 4X20	
28	15662703361	1	COIL, EXCITER	
29	15660103361	1	MODULE, C.D.I.	
30	89011848830	1	LABEL, ECHO	
31	90024204025	3	SCREW 4X25	
32	13191003360	1	BRACKET, FUEL TANK	
33	13101003360	1	TANK, FUEL	
34	13120507320	1	STRAINER, FUEL	
35	13201003360	1	PIPE, FUEL	
36	13200115030	1	VALVE	
37	13100406610	1	CAP ASY, FUEL TANK	INCLUDES ITEMS 38 - 40
38	13131406320	1	VALVE, CHECK	
39	13101521330	1	HOLDER, CHECK VALVE	
40	13101621060	1	GASKET, CAP	
41	13200503360	1	CONNECTOR, FUEL PIPE	INCLUDES ITEM 42
42	13211521330	1	GROMMET	
43	13201326630	2	CLIP	
44	13201203360	1	PIPE, FUEL	



KEY	PARTNUMBER	QTY	DESCRIPTION	REMARKS
1	17801003360	1	CONTROL, THROTTLE	
2	20014103360	1	HANDLE	
3	17801103360	1	ROD, THROTTLE	
4	90034050018	1	PIN, SPRING 5X18	
5	90024604016	3	SCREW 4X16	
6	35111103361	1	GRIP, HANDLE	
7	16340003360	1	SWITCH, IGNITION	
8	89015711130	1	LABEL	
9	16201003360	1	LEAD	
10	90024205018	5	SCREW 5X18	
11	10493003360	1	BRACKET, ENGINE	
12	20010703361	1	CASE, FAN	
13	89016003360	1	LABEL, CAUTION	
14	10013203360	1	WASHER	
15	20001003360	1	FAN	
16	90060000008	1	WASHER 8	
17	90060500008	1	WASHER, SPRING 8	
18	90050000008	1	NUT 8	
19	30512103360	2	CUSHION	
20	30511003360	1	STAND	
21	30511803360	2	WASHER	
22	30511703360	2	CUSHION	
23	20011003360	1	CASE, FAN	
24	90060200006	2	WASHER 6	
25	90060500006	2	WASHER, SPRING 6	
26	90054200006	2	NUT, CAP 6	
27	20012403360	1	GRID, FAN CASE	
28	90024905020	4	SCREW 5X20	
29	89011503360	1	LABEL, MODEL	
30	90024905025	3	SCREW	
31	89017603361	1	LABEL, NOISE	
32	21000103360	1	PIPE, STRAIGHT W/LABEL	INCLUDES ITEM 33
33	89011804261	2	LABEL, ECHO	
34	21040003360	2	CLAMP	INCLUDES ITEMS 35 & 36
35	90050000004	4	NUT 4	
36	90022004025	4	SCREW 4X25	
37	21001403360	1	PIPE, STRAIGHT	
38	21002301060	1	PIPE, CURVED	
39	21003101060	1	NOZZLE, FAN HEAD	



CARBURETOR

PB-210E TYPE 1E

KEY	PARTNUMBER	QTY	DESCRIPTION	REMARKS
	1230003662	1	CARBURETOR ASY WT-409B	INCLUDES THE FOLLOWING
1	12313002960	4	SCREW	
2	12314203930	1	COVER, METERING DIAPHRAGM	
3	A B	1	DIAPHRAGM, METERING	
4	A B	1	GASKET, METERING DIAPHRAGM	
5	A	1	LEVER, METERING	
6	A	1	SPRING, METERING LEVER	
7	A	1	VALVE, INLET NEEDLE	
8	12313903930	1	SCREW, METERING LEVER PIN	
9	A	1	PIN, METERING LEVER	
10	A	1	PLUG, WELCH	
11	12312715030	1	CLIP, THROTTLE SHAFT	
12	12311403930	1	SCREW	
13	12311605230	1	VALVE, THROTTLE	
14	A	1	SCREEN, INLET	
15	A B	1	DIAPHRAGM, FUEL PUMP	
16	A B	1	GASKET, FUEL PUMP	
17	12312403660	1	COVER, FUEL PUMP	
18	12311003930	1	SCREW	
19	12313311130	1	SPRING, IDLE ADJUST	
20	12313419730	1	SCREW, IDLE ADJUST	
21	12311303930	1	SPRING, THROTTLE RETURN	
22	12311703660	1	SHAFT, THROTTLE	
23	12312003661	2	NEEDLE, IDLE	
24	P003000010	2	CAP, LIMITER	
A	12310002260	1	REPAIR KIT	
B	12310137330	1	DIAPHRAGM/GASKET KIT	